

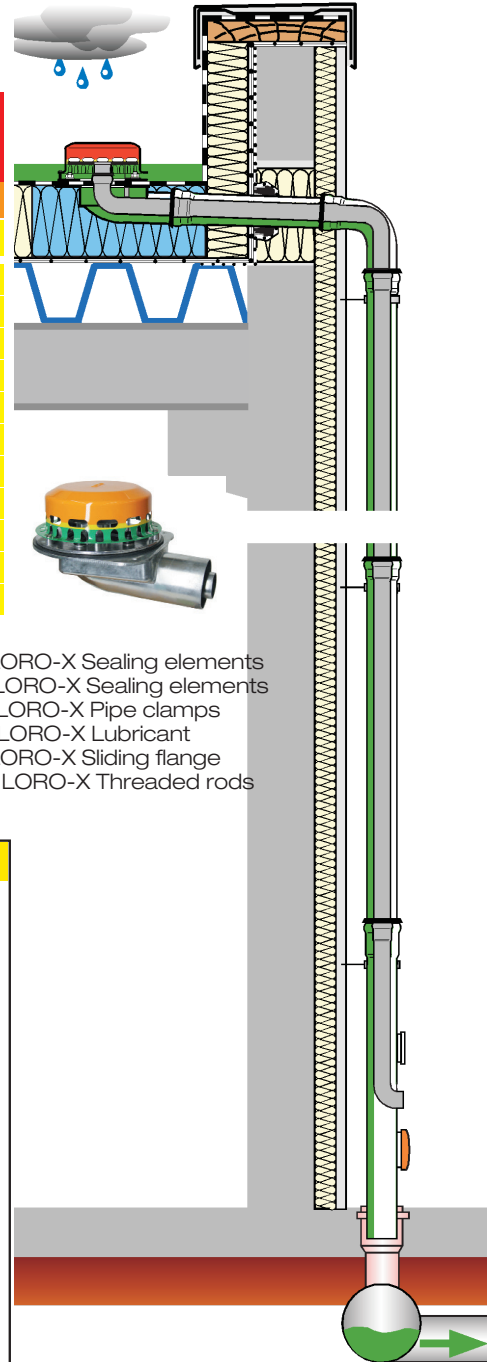
LX 1456

LX 1461

Parapet drainage

Main and emergency combination

- pipe in pipe -
with bend for siphonic flow

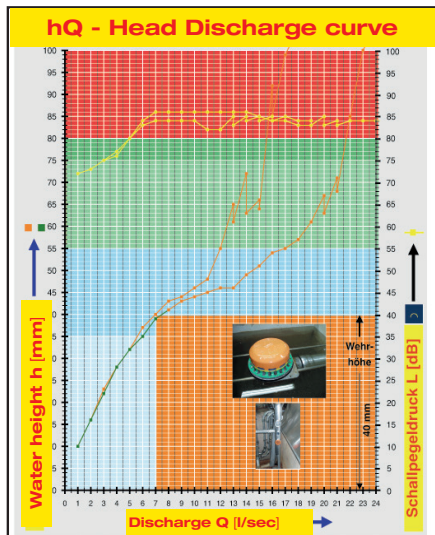


| Main drainage | | Emergency drainage backflow | |
|-------------------|-----------------|-----------------------------|-----------------|
| Siphonic flow | | Siphonic flow | |
| Silent Power | | Power | |
| Discharge rate: | 7,5 l/sec | Discharge rate: | 7,0 l/sec |
| Water height: | 40 mm | Water height: | 75 mm |
| Roof penetration: | 106 mm | Roof penetration: | 106 mm |
| Diameter: | DN 100 | Diameter: | DN 50 |
| LX-Number: | LX 1456 | LX-Number: | LX 1461 |
| Weir height: | 0 mm | Weir height: | 40 mm |
| Drain: | not ventilated | Drain: | not ventilated |
| Downpipe: | not ventilated | Downpipe: | not ventilated |
| Downpipe height: | min 4,2 m | Downpipe height: | min 4,2 m |
| Drainage: | in sewer | Drainage: | on floor |
| Flange form: | Clamping flange | Flange form: | Clamping flange |

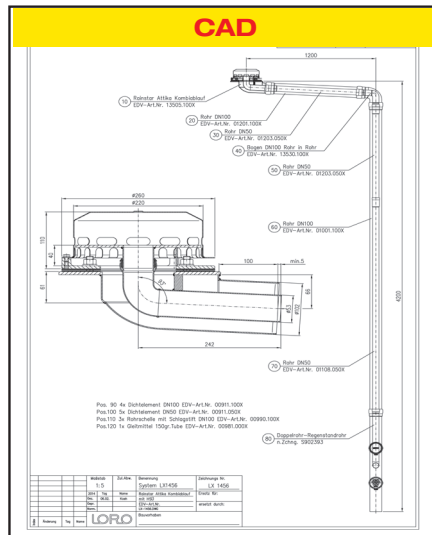
LX 1456 / LX 1461 Piece list

- 1 x Art.-No. 13505.100X, parapet drain
- 1 x Art.-No. 01201.100X, LORO-X Pipe with one socket
- 2 x Art.-No. 01203.050X, LORO-X Pipe with long socket
- 1 x Art.-No. 01001.100X, LORO-X Pipe with one socket
- 1 x Art.-No. 01108.050X, LORO-X Pipe with long socket
- 1 x Art.-No. 13503.100X, LORO-X Standpipe
- 1 x Art.-No. 13530.100X, LORO-X Bend 87° pipe in pipe

- 5 x Art.-No. 00911.100X, LORO-X Sealing elements
- 5 x Art.-No. 00911.050X, LORO-X Sealing elements
- 3 x Art.-No. 00975.100X, LORO-X Pipe clamps
- 1 x Art.-No. 00986.000X, LORO-X Lubricant
- 1 x Art.-No. 13235.100X, LORO-X Sliding flange
- 3 x Art.-No. 09604.200X, LORO-X Threaded rods



Systempower



Systemshape

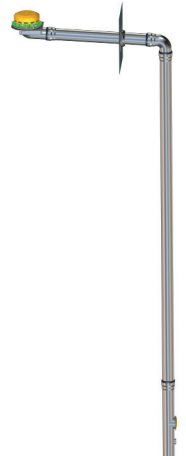
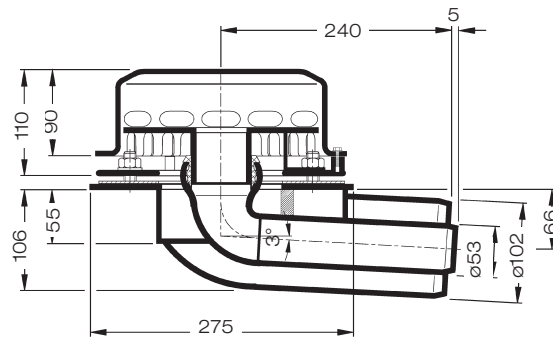
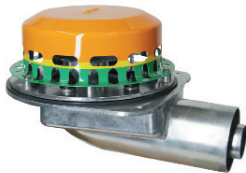
| Water height | mm | 10 | 15 | 20 | 25 | 30 | 35 | 40 | 45 | 50 | 55 | 60 | 65 | 70 | 75 |
|------------------------|-------|-----|-----|-----|-----|-----|-----|-----|-----|-----|-----|-----|-----|-----|-----|
| Point 1 Normalregen | l/sec | 1,0 | 1,8 | 2,6 | 3,5 | 4,5 | 6,0 | 7,5 | | | | | | | |
| Point 2 Rückstau | l/sec | - | - | - | - | - | - | - | 1,0 | 1,8 | 2,5 | 3,4 | 4,5 | 5,6 | 7,0 |

LORO-X combine Main-Emergency parapet drainage system

LX1456-4X

Drain Art.-No. 13505.100X
Weight: 7,2 kg

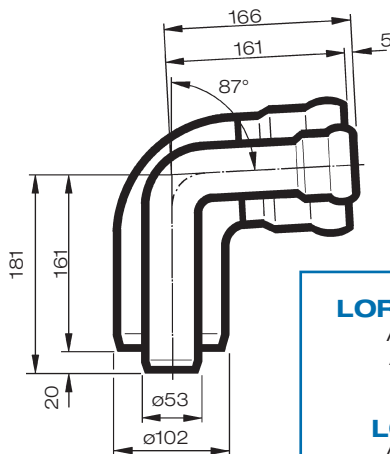
with clamping flange
for bituminous and plastic
roofing sheets



Important: Please order the additional LORO-X system components when placing an order, so as to achieve the drainage performance.

LORO-”pipe in pipe” branch with bend
for combined LORO-X main-emergency parapet
drains, made of hot-dip galvanised steel, DN 100/50

Art.-No. 13500.100X
Weight: 3,1 kg



LORO-sealing elements

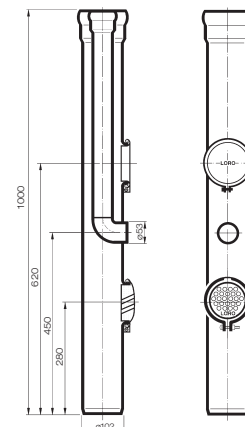
Art.-No. 00911.050X
Art.-No. 00911.100X

LORO-pipe clamps

Art.-No. 00990.100X

LORO-X ”pipe in pipe” standpipe
with cleaning opening, High performance safety
over flow and siphonic spout

1000 mm long Art.-No. 13503.100X
Weight: 6,7 kg



LORO-X Pipe with long socket
for combined LORO-X main-emergency parapet
drains, made of hot-dip galvanised steel, DN 50

500 mm long Art.-No. 01302.050X
1000 mm long Art.-No. 01203.050X
2000 mm long Art.-No. 01108.050X



Important: Additional bends may only be installed after consultation with LOROWERK.
A cleaning pipe 00550.100X must be installed in front of each bend for maintenance purposes.

Heat tracing: LOROWERK recommends to check all drains and pipes with regard to their frost-sensibility. Where necessary, these parts should be upgraded with heat tracing.